



X2 TECHNOLOGY

A Phoenix Mecano Brand

Lifting column

D-series

D12

D23



Made in Sweden

Description

The D-series lifting column with dual hall sensors is the optimal choice for light industrial and furniture applications. Available in two variants: D12, compatible with RK Rose+Krieger's profile system, and the more compact D23 model. With various stroke lengths, the D-series is engineered to meet your specific needs.



 Short lead times

 Very robust

 Long lifetime

Features

Push
Cable out large tube
Dual hall sensors
Limit switches

Options

Standard or contour plates
Cable exit long/short side on large tube
Cable exit small tube on D12

Technical data

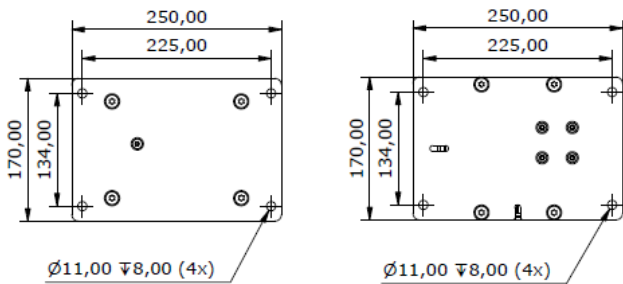
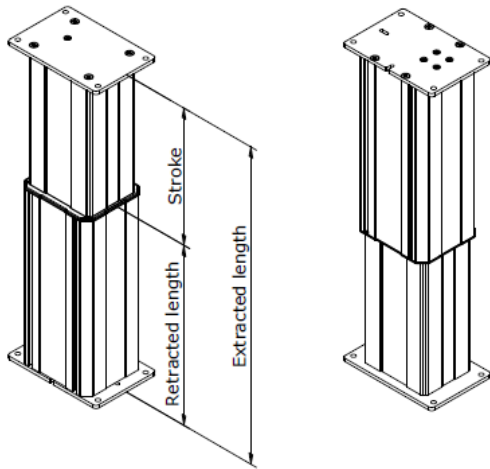
	SD-DS23/SD-DS12	SD-DR23/SD-DR12	SD-CR23/SD-CR12
Force, max push*	1.500 N	2.500 N	4.000 N
Self-locking force**	1.500 N	2.500 N	4.000 N
Speed at max force with compact-3 or SMARTneo	20 mm/s	10 mm/s	5 mm/s
Stroke, S	50 mm to 500 mm in steps of 50 mm		50 mm to 400 mm in steps of 50 mm
Retracted length, R	D23: R = S + 205 mm, D12: R = S + 170 mm		
Duty cycle [%]	10 % (1 min ON / 9 min OFF)		
Voltage	24 VDC		
Ambient temp	+10°C to +40°C		
Current at max force	4,5 A	4 A	4,5 A
IP Class	IP 20		

* See diagrams on page 3

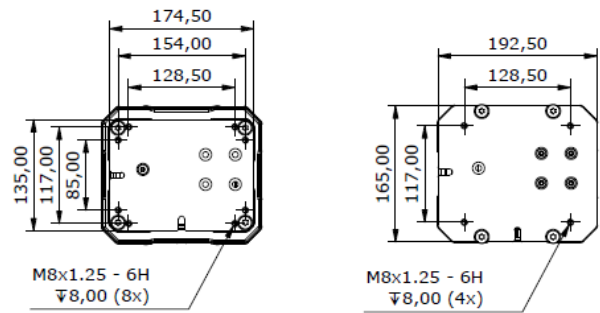
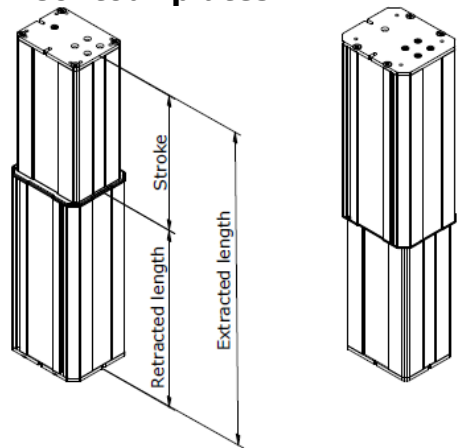
** Only applied when connected by short circuit

Technical drawings

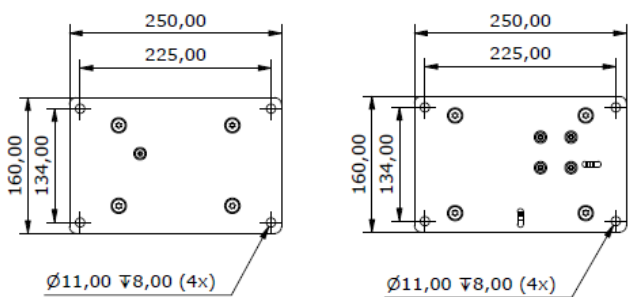
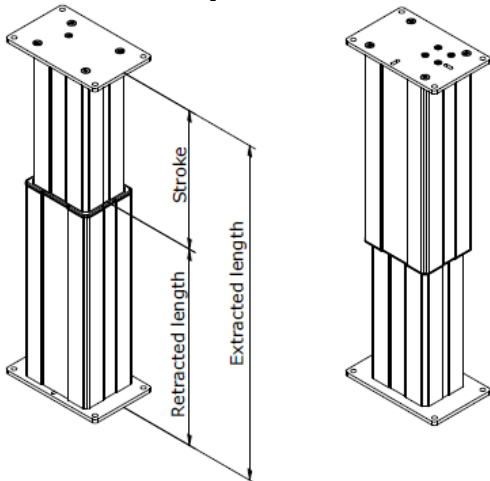
Standard plates D12



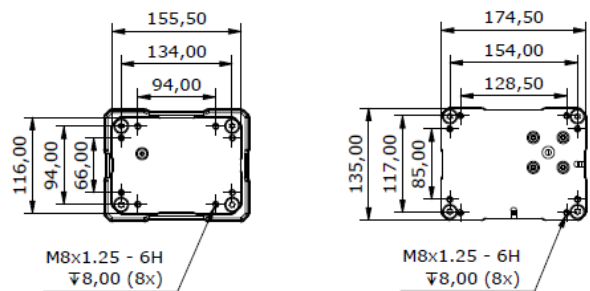
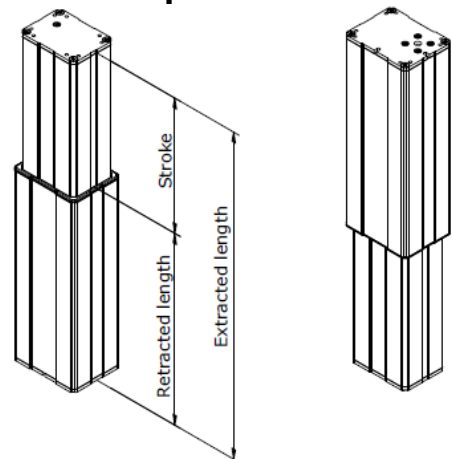
Contour plates D12



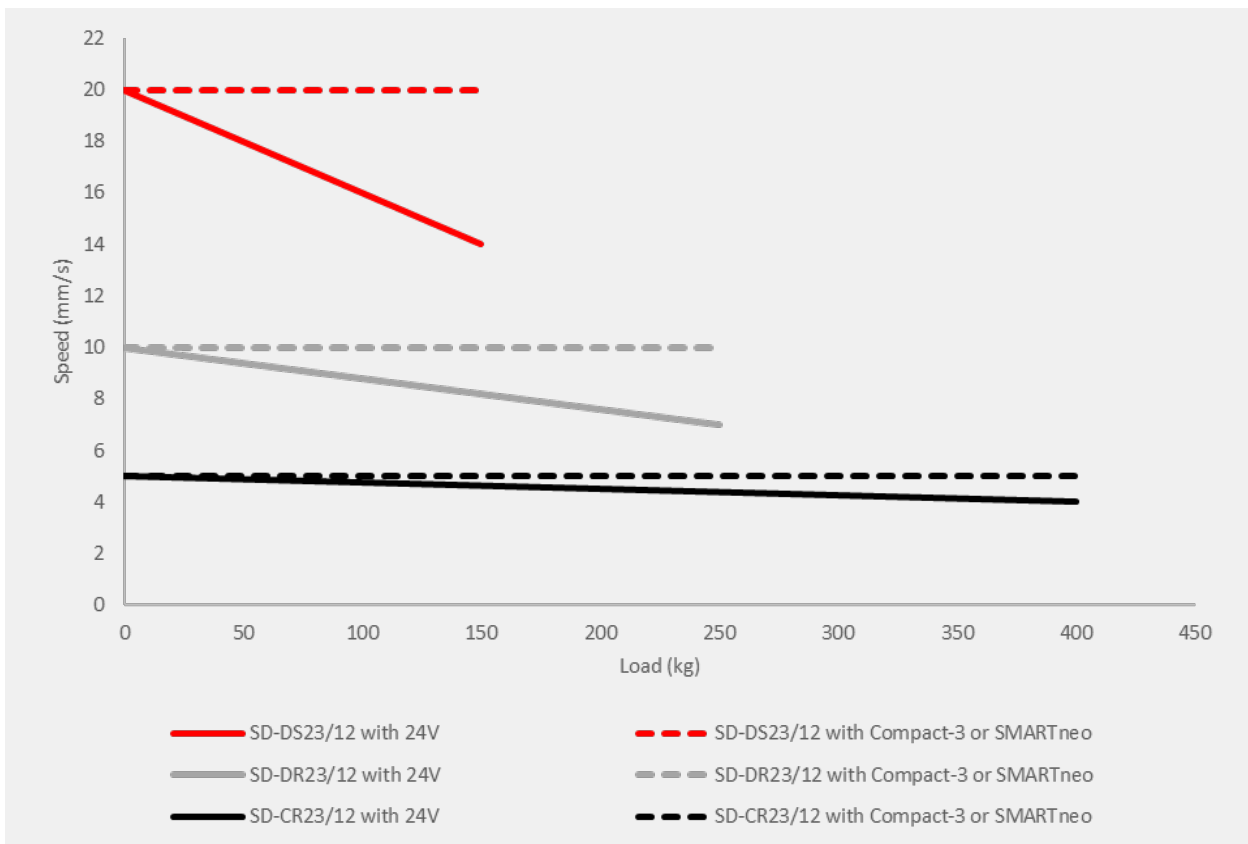
Standard plates D23



Contour plates D23



Speed/Load-diagram



Recommended control units

Compact-3



Maximum-efficiency SMPS
 230VAC (EU) or 120VAC (US) versions
 24V - 33V output
 3 motor exits (max 5-8A/motor exit)
 Cascading: connect up to 4 Compact-3
 Control two motor groups separately with the same control unit

SMARTneo



Cost-effective SMPS
 230VAC (EU)
 24V-33V output
 2 motor exits (max 5A/motor exit)
 Cascading: connect up to 2 SMARTneo
 Control two motor groups separately with the same control unit

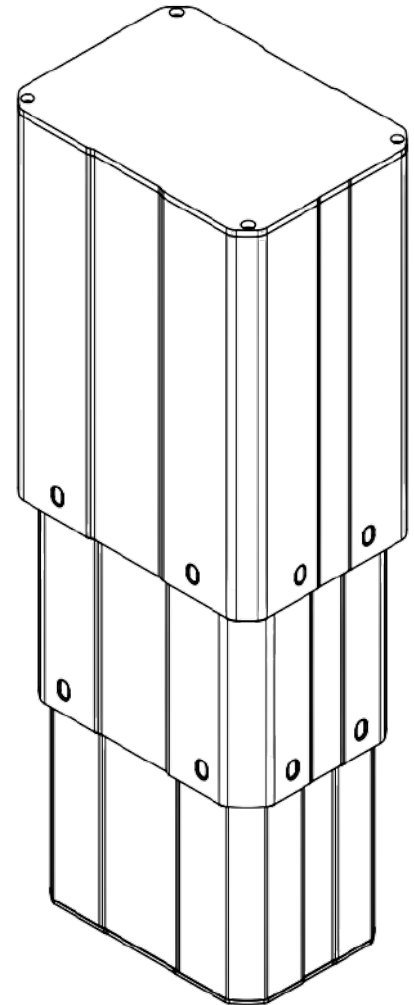
Ordering key

<i>Actuator Type</i> S	<input type="checkbox"/> S – Single Lead screw
<i>Profile Series</i> D	<input type="checkbox"/> D – D-Series
<i>Motor type</i> C	<input type="checkbox"/> C – Gammadrive 35:1 <input type="checkbox"/> D – Gammadrive 34:2
<i>Lead Screw type</i> R	<input type="checkbox"/> R – T14x3 <input type="checkbox"/> S – T14x6
<i>Profile no. From-To</i> 12	D-Series Profile <input type="checkbox"/> 1 – 193x165mm <input type="checkbox"/> 2 – 175x135mm <input type="checkbox"/> 3 – 156x116mm
<i>Stroke Length</i> 100	50-500 in steps of 50 mm [mm]
<i>Retracted Length</i> 270	$R = S + 170$ mm [mm]
<i>Plates</i> 1	<input type="checkbox"/> 1 – Standard plates <input type="checkbox"/> 2 – Contour plates <input type="checkbox"/> 3-9 – Custom

X2 Technology – The Customizer

Before use of products, see general terms & conditions and operating manuals. Lifetime and suitability are depending on application and must therefore be tested by each user. Specifications subject to change without prior notice. All components in this datasheet are property of Phoenix Mecano AB and may therefore not be used without permission.

Copyright © Phoenix Mecano AB 2024.01



Phoenix Mecano AB



+46 470 717950



info@phoenix-mecano.se



www.phoenix-mecano.se



Made in Sweden



X2 TECHNOLOGY

A Phoenix Mecano Brand